

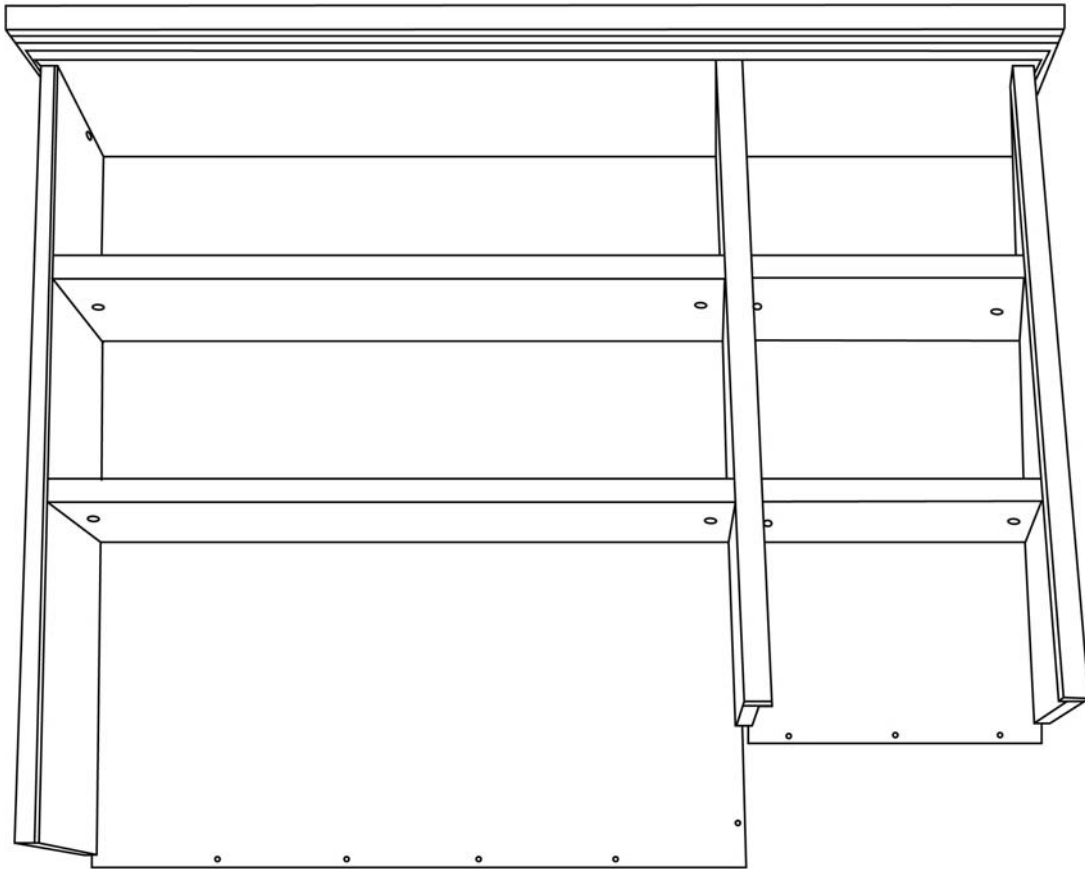


## Emily / Kalani II Hutch (M4749) Assembly and Operation Manual

Congratulations on purchasing this product. This product will provide many years of service if you adhere to the following guidelines for assembly, maintenance, and operation. This product is for residential use only. Any institutional use is strictly prohibited.

Please be sure to follow the instructions for proper assembly. Use a Phillips head screwdriver for assembling the product in addition to the Allen wrench included in the hardware box. Do not use power screwdrivers. All of our products are made from natural woods. Please understand that natural woods have color variations which are the result of nature and not defects in workmanship.

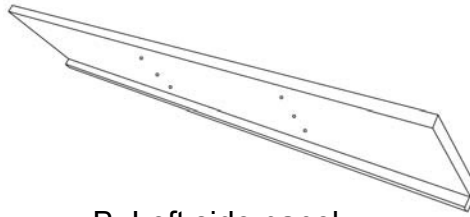
DO NOT SUBSTITUTE PARTS. ALL MODELS HAVE THE SAME QUANTITY OF PARTS AND HARDWARE. YOUR MODEL MAY LOOK DIFFERENT FROM THE ONE ILLUSTRATED DUE TO STYLISTIC VARIATIONS.



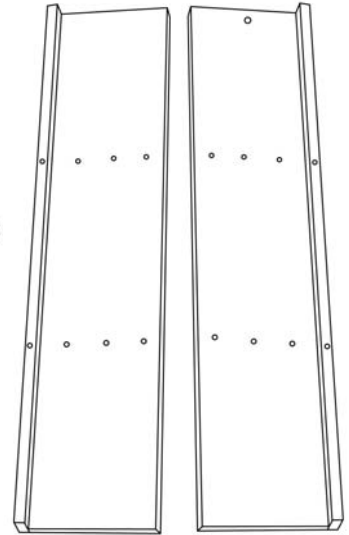
**PARTS**



A. Top panel

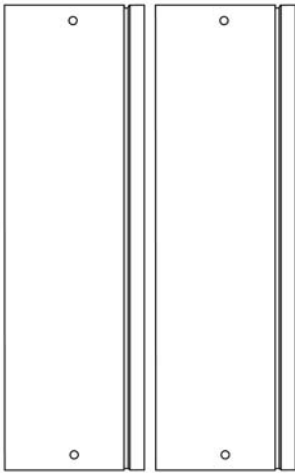


B. Left side panel

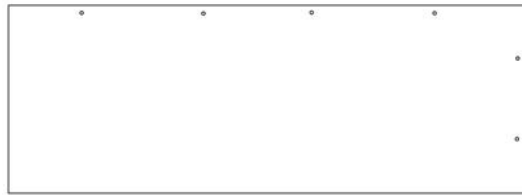


C. Center panel

D. Right side panel



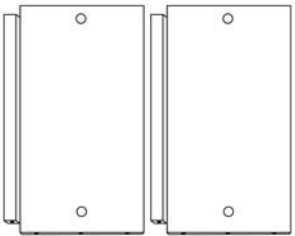
E. Long shelf X 2



G-1. Back top board



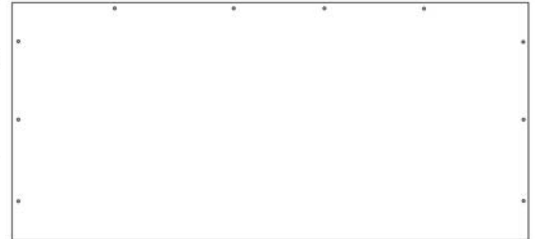
G-2. Middle back board



F. Short shelf X 2



G-3. Back bottom board



G-4. Right side board

**HARDWARE**



H. Wood screws X 40



I. Cam bolt X 11

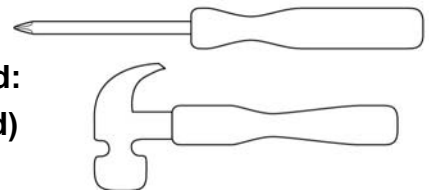


J. Wood dowel X 30



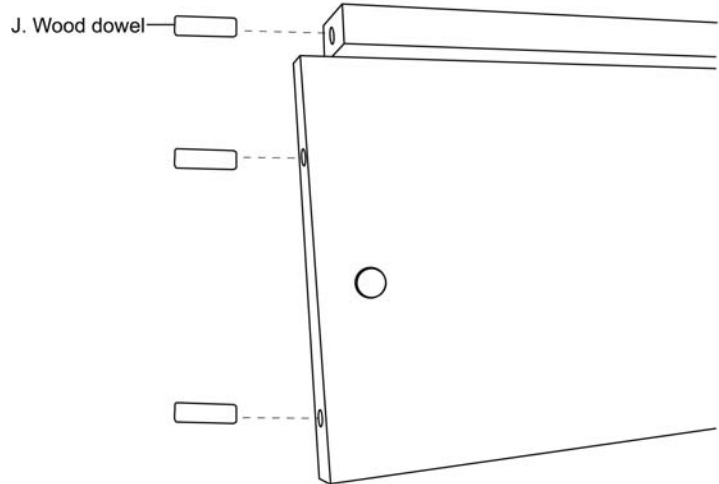
K. Cam lock X 11

**Tools needed:  
(not included)**



## STEP 1.

Insert wood dowels (J) to the both ends of long shelves (E) and short shelves (F) as shown in the illustration.

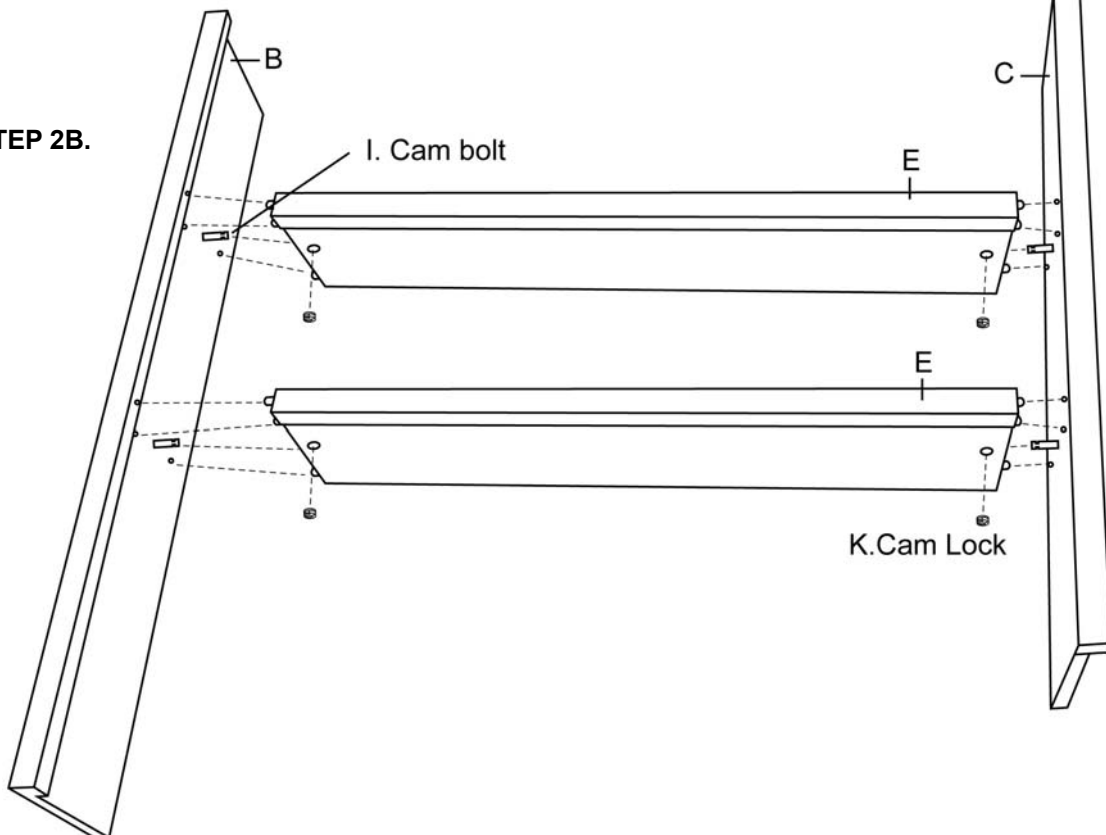


## STEP 2.

2A. Attach cam bolts (I) to the both sides of Center panel (C).

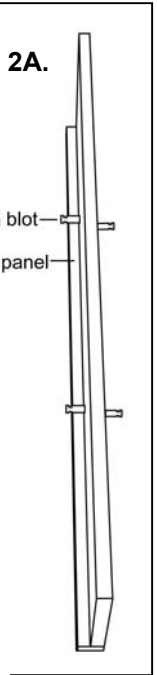
2B. Attach cam bolts (I) to the left side panel (B), and then assemble the long shelves (E) using cam locks (K) as shown in the illustration.

### STEP 2B.



### STEP 2A.

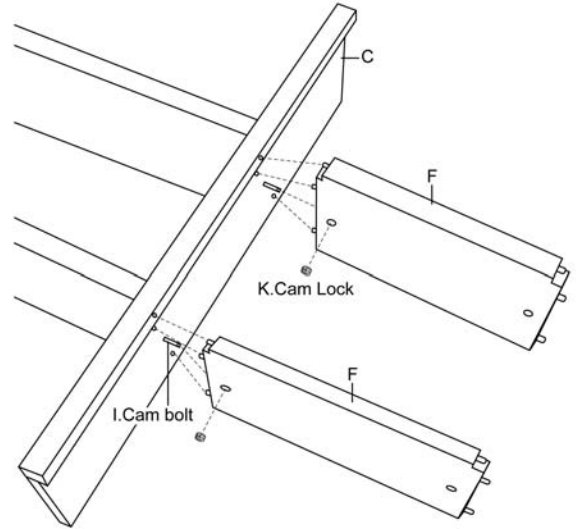
I. Cam bolt  
C. Center panel



---

### STEP 3.

Assemble the short shelves (F) using cam locks (K) as shown in the illustration.

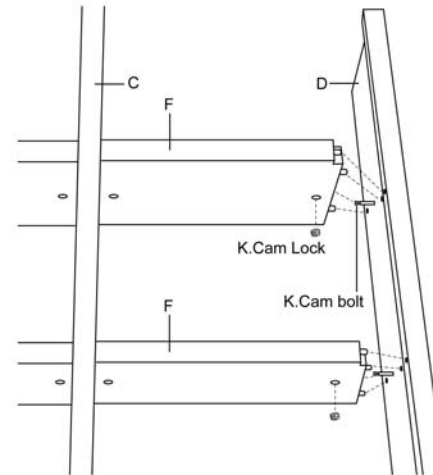


---

### STEP 4.

Attach Cam Bolts (I) to the right side panel (D)

Assemble the right side panel (D) using cam locks (K) as shown in the illustration.



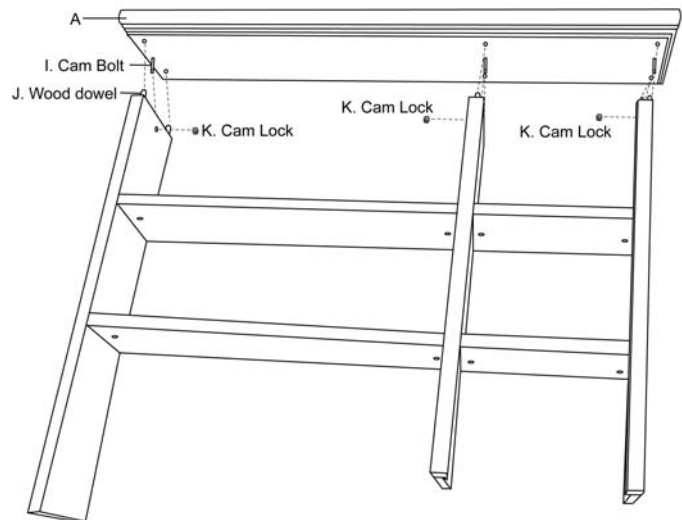
---

### STEP 5.

Attach Cam Bolts (I) to the top panel (A).

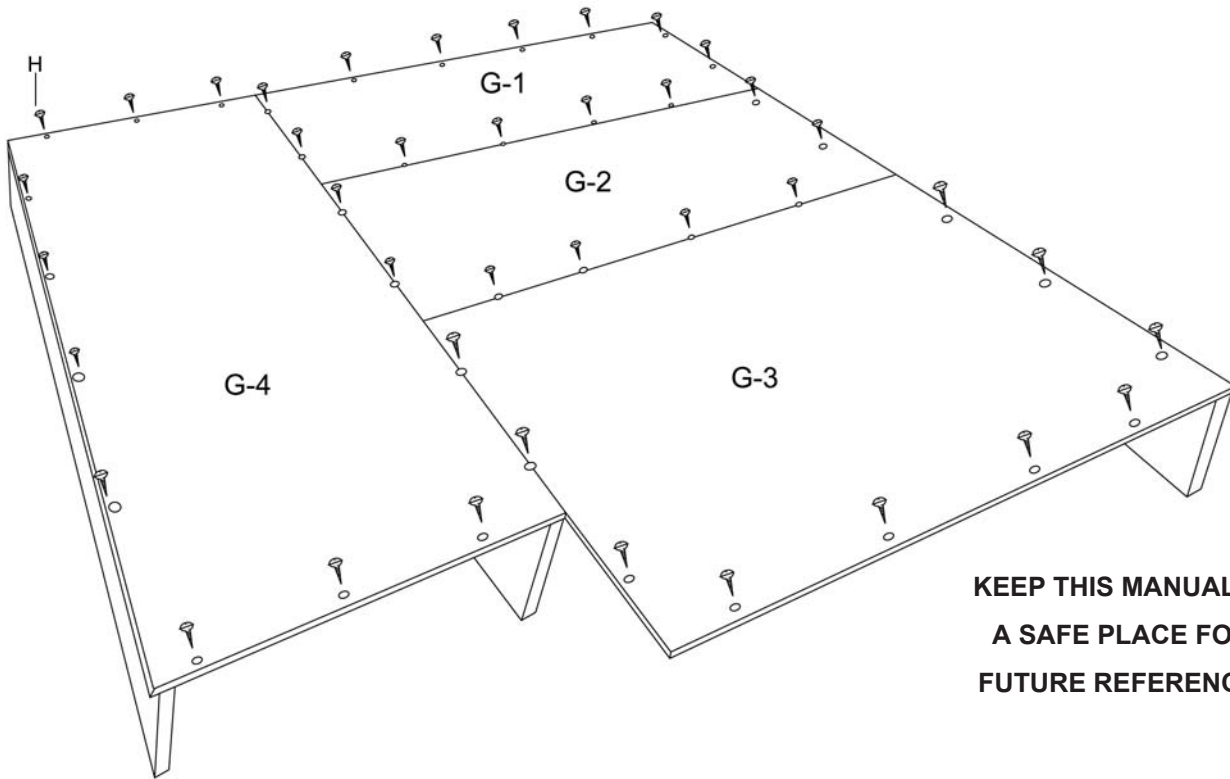
Insert wood dowels (J) to the end of left side panel (B), center panel (C) and right side panel (D).

Assemble the top panel (A) use cam locks (K) as shown in the illustration.



## Step 6. Back panel assembly

Use wood screws (H) to assemble the back panel as shown in the illustration and set it up to the combo.



**KEEP THIS MANUAL IN  
A SAFE PLACE FOR  
FUTURE REFERENCE.**

Please refer to the label (sample below). Record the model/ item number and serial number of your product, the name of the store where you made the purchase, the date of purchase and the wood finish in the box to the lower right.

**WE WILL ASK YOU FOR YOUR SERIAL NUMBER  
FOR ALL WARRANTY AND REPLACEMENT PART  
REQUESTS. KEEP THIS MANUAL INSIDE THE PLASTIC  
HOLDER FOR FUTURE REFERENCE.**

**“CAUTION: ANY MATTRESS USED IN THIS  
CRIB MUST BE AT LEAST 27 1/4 INCHES  
BY 51 5/8 INCHES WITH A THICKNESS  
NOT EXCEEDING 6 INCHES.”**

MODEL/ITEM NUMBER	XXXX
SERIAL NUMBER	XXXXXXXXX
DATE OF MANUFACTURE	XX/XX

THIS PRODUCT CONFORMS TO THE  
APPLICABLE REGULATIONS OF THE  
CONSUMER PRODUCTS SAFETY COMMISSION.



SAMPLE LABEL

Model Number:	_____
Serial Number:	_____
Store Where Purchased:	_____
Date of Purchase:	_____
Wood Finish:	_____

**Please read the Caution and Warning Statements insert  
before using your product.**