

# M4755 Emily 3 Drawer Changer Package Contents

## ⚠️ WARNING!

READ ALL INSTRUCTIONS BEFORE USE OF THE CHANGING TABLE, ADD-ON CHANGING UNIT, OR CONTOURED CHANGING PAD.

### !!PLEASE READ!!

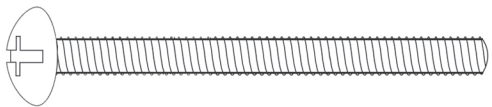
Assembly of this furniture is easier with two people. Assemble furniture on debris free carpets or on the enclosed foam sheets to prevent scratching of finish. Using any power tools to assemble this furniture may potentially strip the wood. **DO NOT OVERTIGHTEN SCREWS. DO NOT USE THE CHANGING TABLE IF IT IS DAMAGED OR BROKEN.**



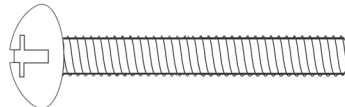
Keep instructions for future reference.

## HARDWARE

Tools required: Phillips screwdriver, Flat-head screwdriver.



(H1) 2.5" Machine Bolt - Quantity: 4



(H2) 1.75" Machine Bolt - Quantity: 12



(H3) Cam Bolts  
Quantity: 6



(H4) Cam Lock  
Quantity: 6



(H5) Barrel Nut  
Quantity: 4



(H6) Nylon Dowel  
Quantity: 16



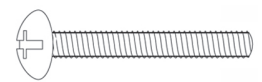
(H7) Wood Screw  
Quantity: 36



(H8) Wood Screw  
Quantity: 12



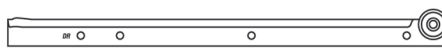
(H9) Knob  
Quantity: 6



(H10) Knob Screw  
Quantity: 6



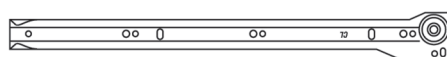
(H11) Right Panel Glide - Quantity: 3



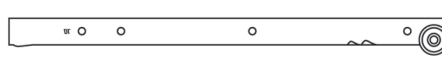
(H13) Right Drawer Glide - Quantity: 3



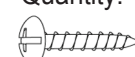
(SS) Safety Strap Assembly  
Quantity: 1



(H12) Left Panel Glide - Quantity: 3

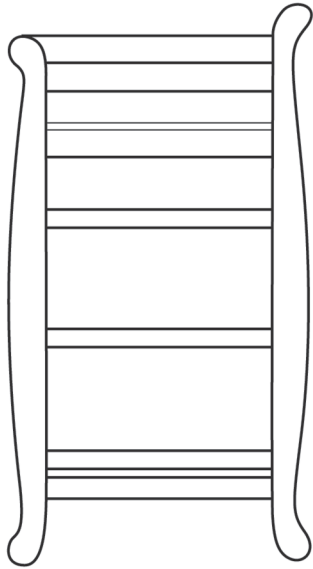


(H14) Left Drawer Glide - Quantity: 3

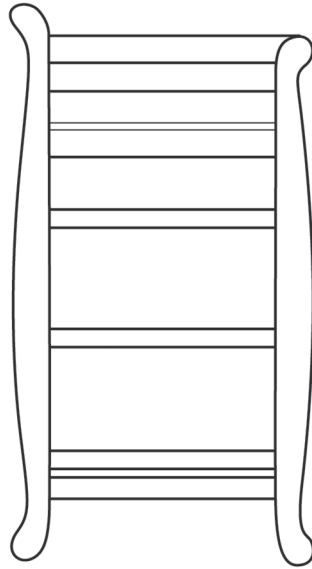


(SS2) Safety Strap Screw  
Quantity: 2

# PARTS



**(A)** Left End Panel  
Quantity: 1



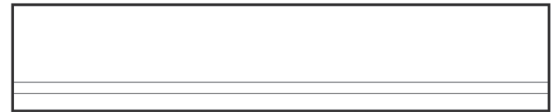
**(B)** Right End Panel  
Quantity: 1



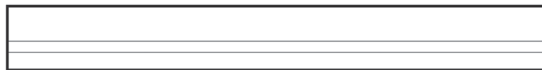
**(C)** Changer Top Shelf - Quantity: 1



**(D)** Top Round Bars - Quantity: 2



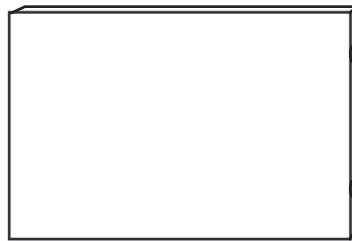
**(E)** Top Back Panel Rail - Quantity: 1



**(F)** Top Front Panel Rail - Quantity: 1



**(G)** Mid-Support Rail - Quantity: 4



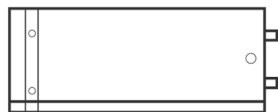
**(J)** Back Panel - Quantity: 1



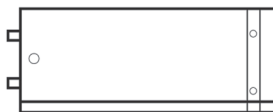
**(K)** Changer Pad  
Quantity: 1



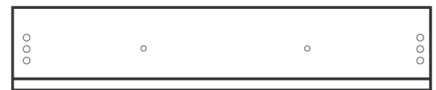
**(L)** Wood Dowel - Quantity: 4



**(D1)** Right Drawer Panel  
Quantity: 3



**(D2)** Left Drawer Panel  
Quantity: 3



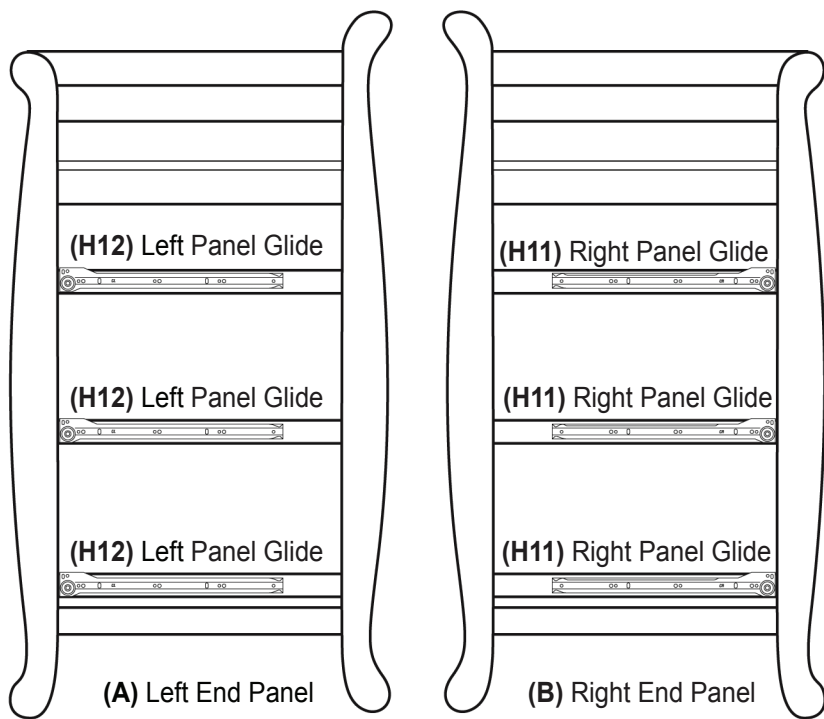
**(D3)** Front Drawer Panel - Quantity: 3



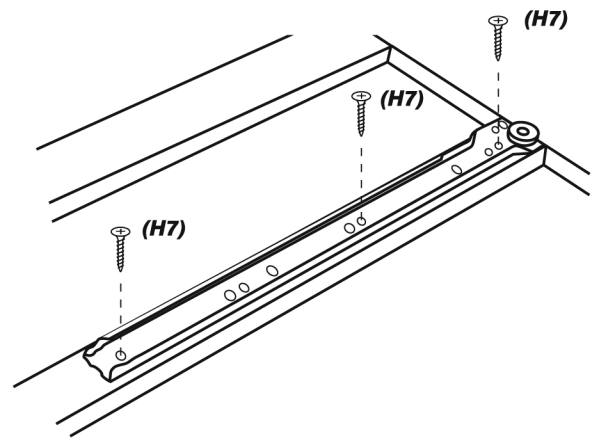
**(D4)** Back Drawer Panel - Quantity: 3



**(D5)** Drawer Bottom Board  
Quantity: 3



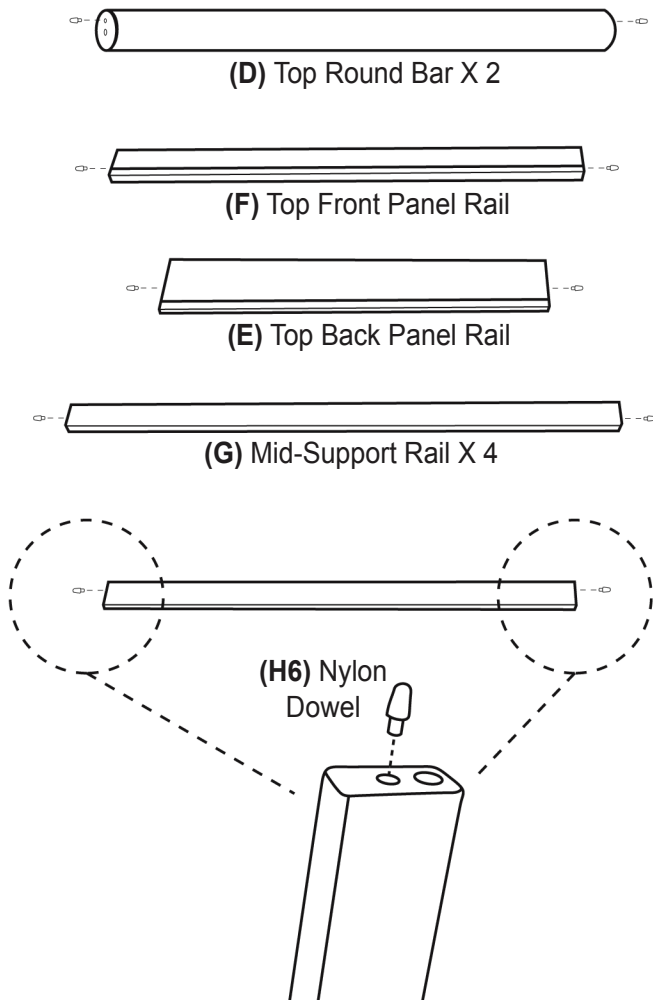
**(Step 1) Installing the Rail Glides**  
**- Close-up of rail H11 installed onto panel B.**



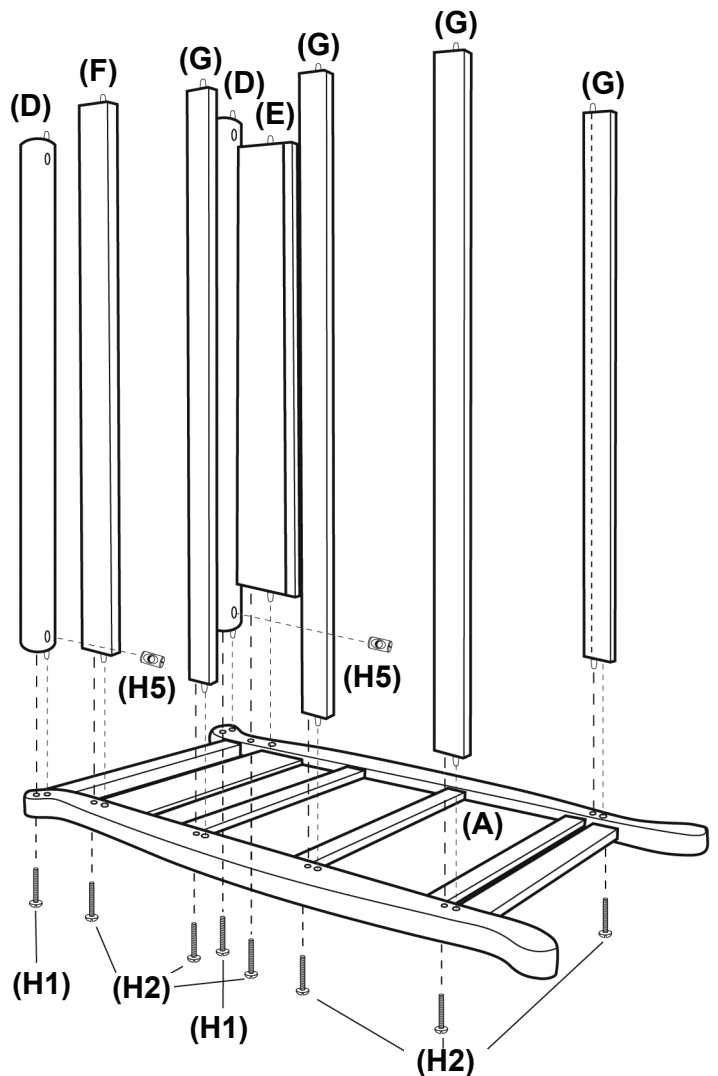
Install the rail glides (H11) and (H12) onto the end panels (A) and (B). Use 3 wood screws (H7) for each glide.

**DO NOT OVERTIGHTEN.**

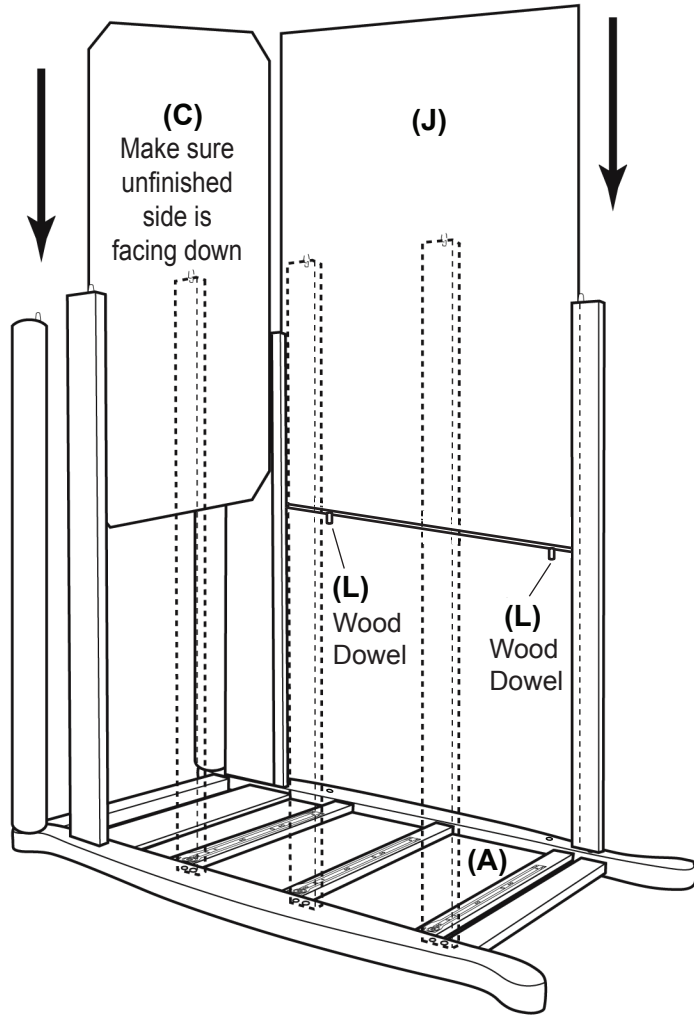
**(Step 2) Insert Nylon Dowels H6 into the rails and bars.**



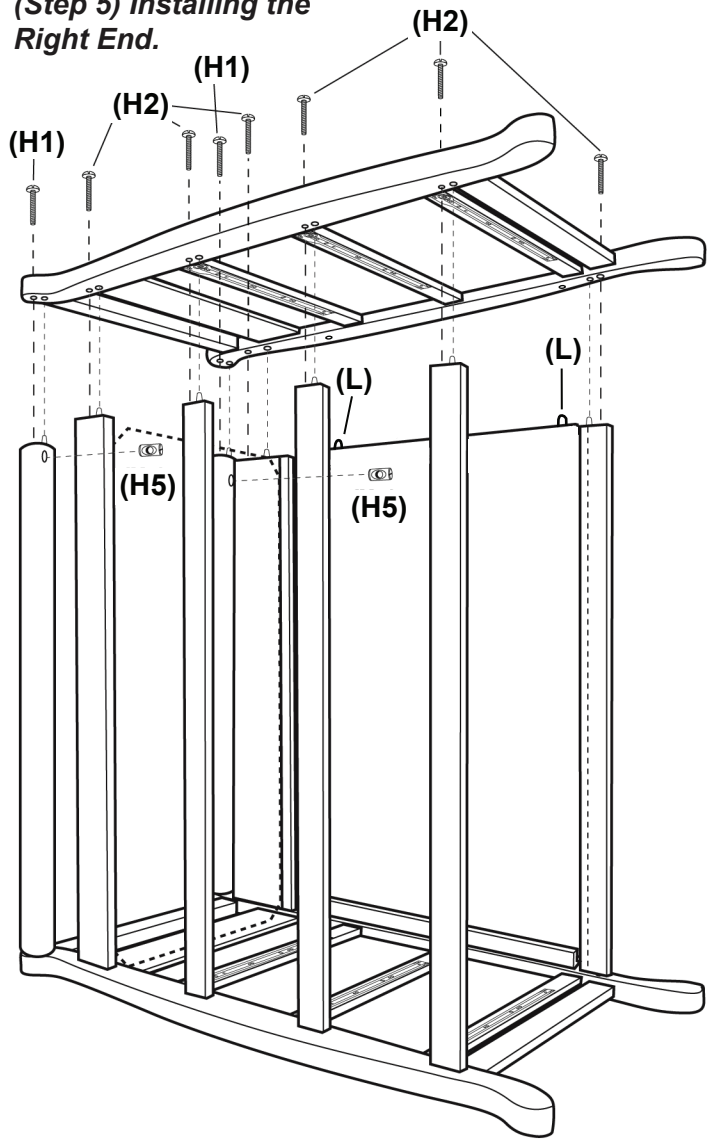
**(Step 3) Installing the Wood Rails**  
**- Attach the wood rails to the end panel as shown. Assembly is much easier with two people.**



**(Step 4) Installing the Shelf and Back Panel.**

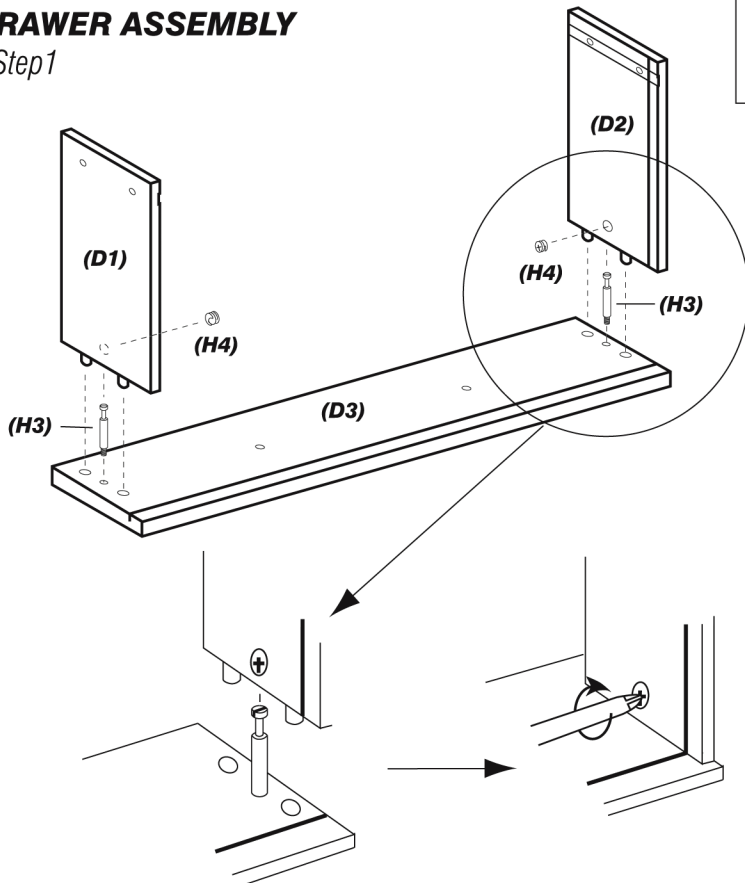


**(Step 5) Installing the Right End.**



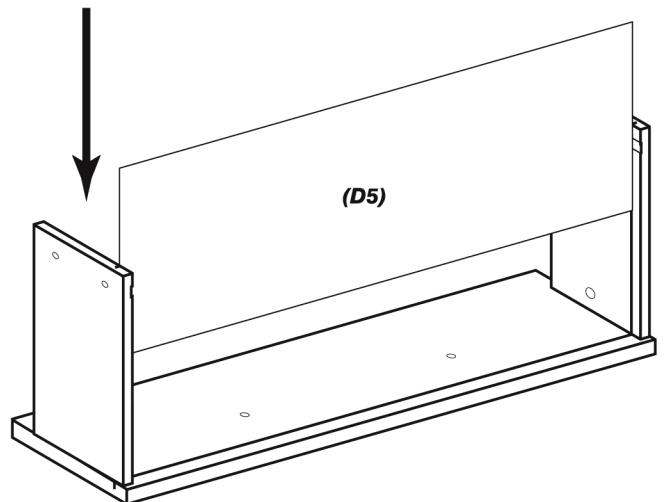
**DRAWER ASSEMBLY**

**::Step 1**



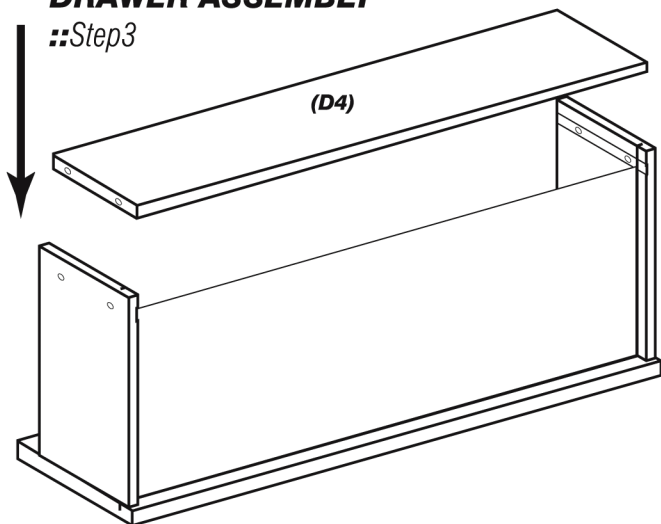
**DRAWER ASSEMBLY**

**::Step 2**



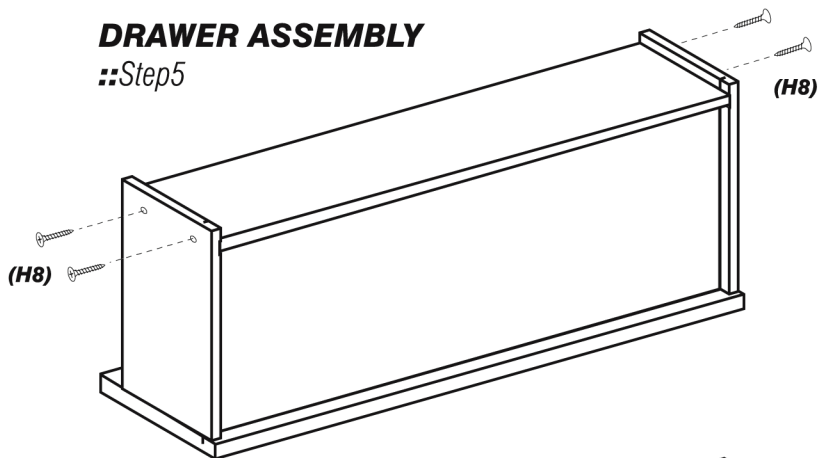
**DRAWER ASSEMBLY**

**::Step3**



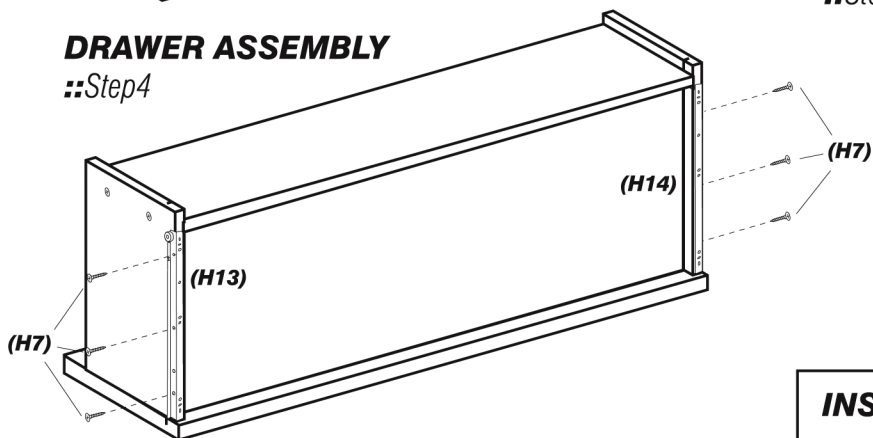
**DRAWER ASSEMBLY**

**::Step5**



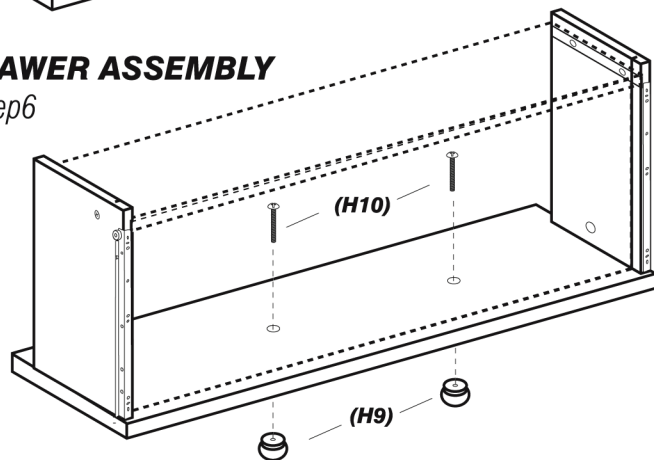
**DRAWER ASSEMBLY**

**::Step4**

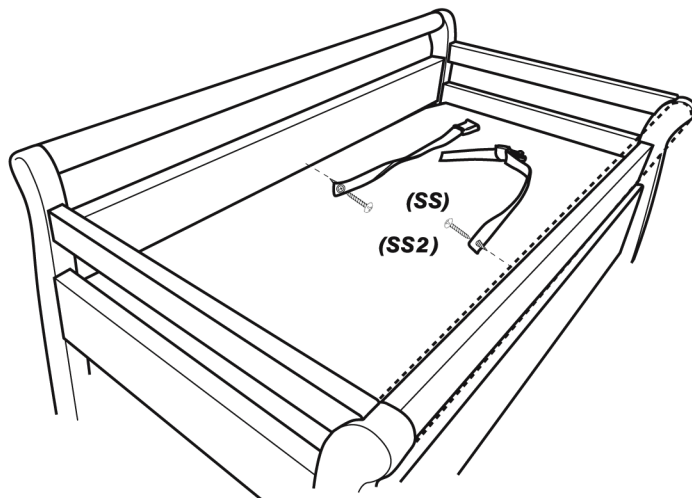


**DRAWER ASSEMBLY**

**::Step6**

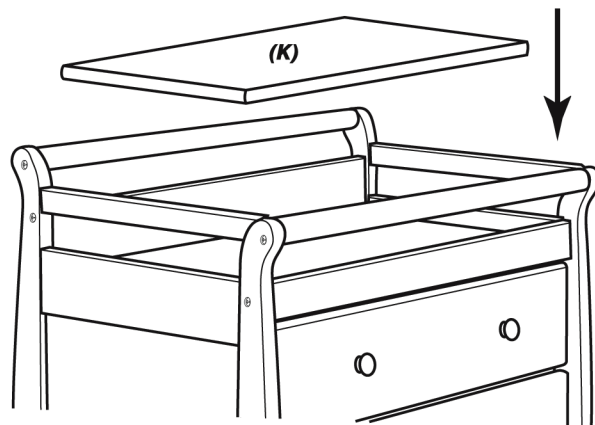


**INSTALL THE SAFETY STRAPS**



**INSERT THE ASSEMBLED DRAWERS**

**PLACE PAD INTO CHANGER**



**The recommended maximum weight:**  
The recommended maximum weight of the occupant is 30 lbs.

# Restraint System

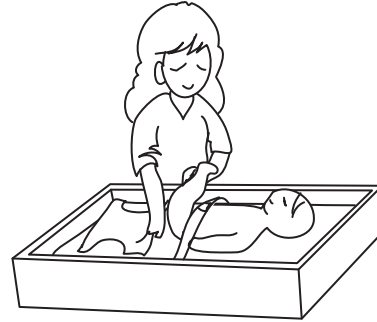
## ⚠️ WARNING:

During the diaper changing process, be sure always to keep one hand on the baby to prevent the baby from falling off the changing pad. Falling from the changing pad could cause severe injury or even death to the baby.



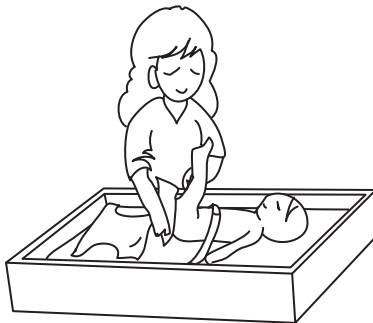
### Step 1.

Place a baby on the pad with his/her bottom on the top of the diaper. Safely secure the baby on the pad with the safety straps and buckle on the pad. This helps prevent the baby from falling off the pad, which can result in severe injury or even death of the baby.



### Step 2.

Remove the dirty diaper from the baby.



### Step 3.

Push the baby's legs forward and create a cavity under the baby's bottom. Clean the baby.



### Step 4.

Reattach the new diaper to a clean and happy baby!



# WARNING! FALL HAZARD

**TO PREVENT DEATH OR SERIOUS INJURY, ALWAYS KEEP CHILD WITHIN ARM'S REACH.**

**READ ALL INSTRUCTIONS BEFORE ASSEMBLING THIS PRODUCT. KEEP THE MANUAL FOR FUTURE USE.**



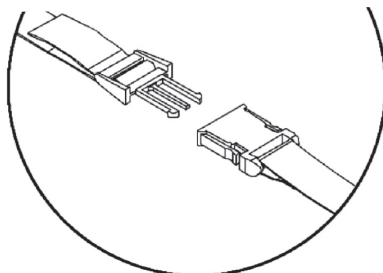
## WARNING:

- Read all instructions before use of the changing table.
- Do not use changing table if it is damaged or broken.
- This product is not intended to be used to be used as a changing table without adult supervision. Use of the product without this may result in death or serious injury to your child from falling. Follow all instructions on attaching and using the changing table.
- When using this product, always secure the child with the safety strip.
- Only use the pad provided by Million Dollar Baby.
- The maximum weight of the child for which the changing table is intended is 30 lbs.
- Stop using this changing table when the child is able to sit up or roll over.
- As with all infant and baby furniture, it is important to check fasteners, screws, and bolts periodically for tightness. Parents should ensure a safe environment for thier child by checking the furniture regularly before placing the child in the product.



## WARNING! FALL HAZARD

To prevent death or serious injury, always keep child within arm's reach. Never leave child unattended and always use restraining system.



### ONE YEAR LIMITED WARRANTY :

We will replace any missing parts at the time of purchase or any defective item within a one year period from the date of original purchase. Please keep your receipt so that we may process your warranty request. This warranty only covers new units with original packaging and ownership, and is not transferable. It does not cover any used, secondhand or demo models.

This warranty does not cover any damaged or defective parts that result from installation and assembly, normal wear and tear, abuse, negligence, improper use or alteration to the finish, design, and hardware of the crib. The specific legal rights of this warranty may vary from state to state. Some states do not allow any exclusion or limitation of incidental damages. Some stated do not allow limitation on how long an implied warranty lasts.

**Registering your product is even easier than before. You can register your product on our website at [www.milliondollarbaby.com](http://www.milliondollarbaby.com)**

### Maintenance and Cleaning:

Do not scratch or chip the finish. Do not use abrasive chemicals for cleaning. Clean with mild soap on a soft rag. Rinse and dry thoroughly. If you ever refinish this furniture, be sure to use only a non-toxic finish specified for children's products. If you choose to refinish this furniture, the warranty will be voided.

### Storage:

Pine woods exchange moisture with the air adjusting to major changes in room temperature and humidity. Therefore it is best to place your furniture away from heating or air-conditioning vents. Sunlight is not friendly to solid wood furniture and prolonged direct exposure to harsh sunlight can discolor the finish. Be careful not to place your furniture in direct sunlight for extended periods of time. As with all your fine furniture, blot up spills immediately.

IF YOU WOULD LIKE TO ORDER REPLACEMENT OR MISSING PARTS. PLEASE VISIT US AT:  
**WWW.MILLIONDOLLARBABY.COM**

OR YOU CAN CONTACT US BY MAIL:  
**MILLION DOLLAR BABY  
855 WASHINGTON BLVD.  
MONTEBELLO, CA 90640**