

M4759 Emily II Combo Dresser KD Version



⚠️ WARNING!

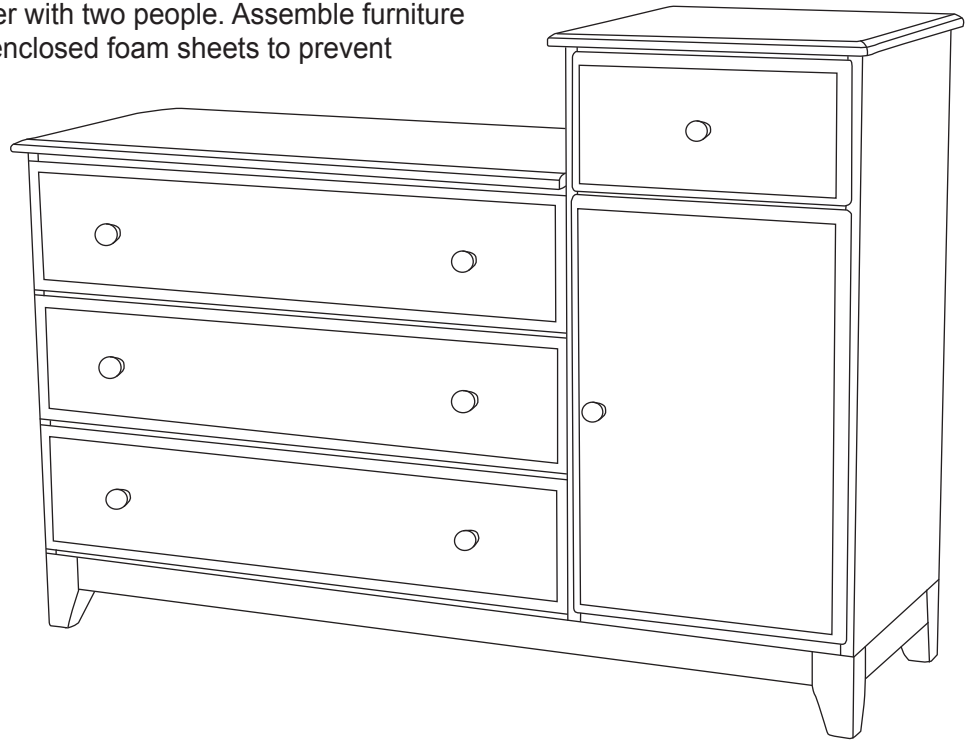
READ ALL INSTRUCTIONS BEFORE USE OF THE COMBO DRESSER.

!!PLEASE READ!!

Assembly of this furniture is easier with two people. Assemble furniture on debris free carpets or on the enclosed foam sheets to prevent scratching of finish. Using any power tools to assemble this furniture may potentially strip the wood.

DO NOT OVERTIGHTEN SCREWS.

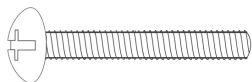
DO NOT USE THE COMBO DRESSER IF IT IS DAMAGED OR BROKEN.



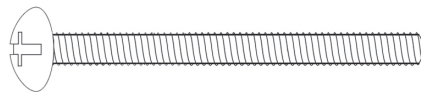
Keep instructions for future reference.

HARDWARE

Tools required: Phillips screwdriver, Flat-head screwdriver.



(H1) 1-1/8" Machine Bolts x 39



(H2) 2" Machine Bolts x 4



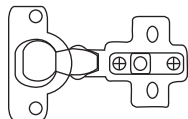
(H3) Cam Bolts x 8



(H4) Cam Lock x 8



(H5) Knobs x 8



(H6) Hinges x 2



(H7) Hinges Screws x 8



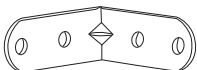
(H8) Small Wood Screws x 96



(H9) 1-1/4" Wood Screws x 16



(H10) Dowels x 4



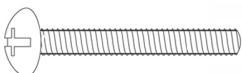
(H11) Support Bars Fasteners x 6



(H13) Right Panel Glide - Quantity: 4



(H15) Right Drawer Glide - Quantity: 4



(H12) Knob Screws x 8

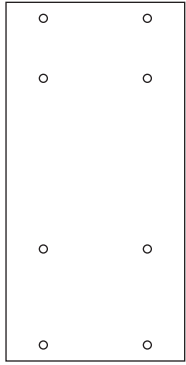


(H14) Left Panel Glide - Quantity: 4

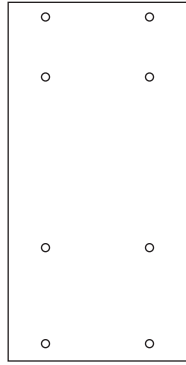


(H16) Left Drawer Glide - Quantity: 4

PARTS



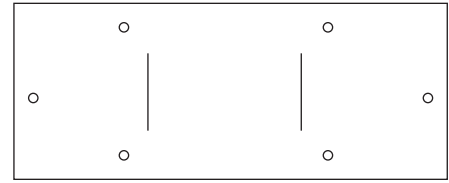
(A) Center Panel



(B) Right Panel



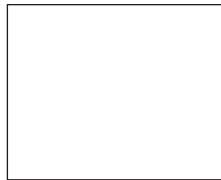
(C) Left Panel



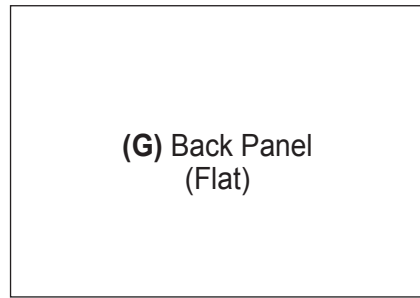
(D) Large Top



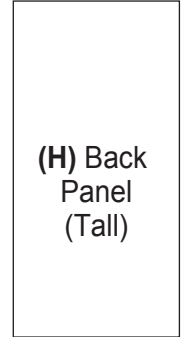
(E) Small Top



(F) Shelves x 2



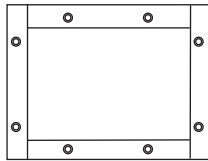
(G) Back Panel
(Flat)



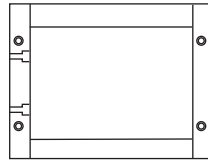
(H) Back Panel
(Tall)



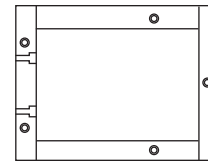
(I) Legs x 4



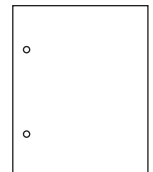
(K) Small Top
Support Frame



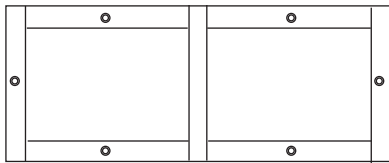
(L) Small Center
Support Frame



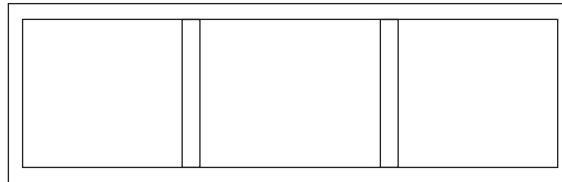
(M) Small Bottom
Support Frame



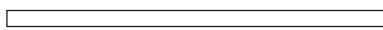
(P) Door



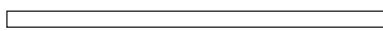
(J) Large Top and Bottom
Support Frames x 2



(N) Base Panel



(O) Support Bars x 2



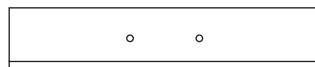
(O-1) Back Support Bar



(Q) Left Drawer
Panels x 4



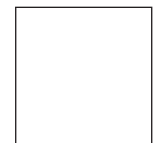
(R) Right Drawer
Panels x 4



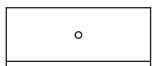
(U) Large Drawer
Front Panels x 3



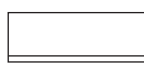
(W) Large Drawer
Bottom Boards x 3



(X) Small
Drawer
Bottom Board



(S) Small Drawer
Front Panel

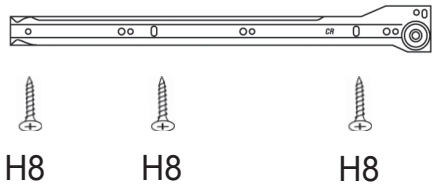


(T) Small Drawer
Back Panel

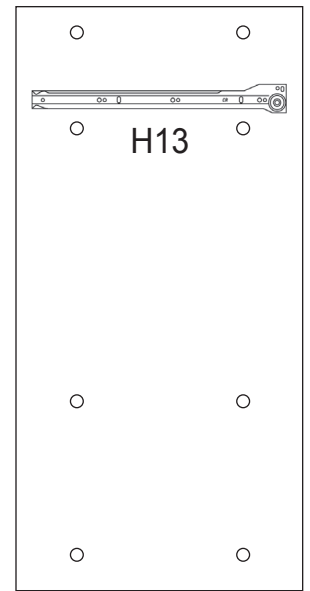
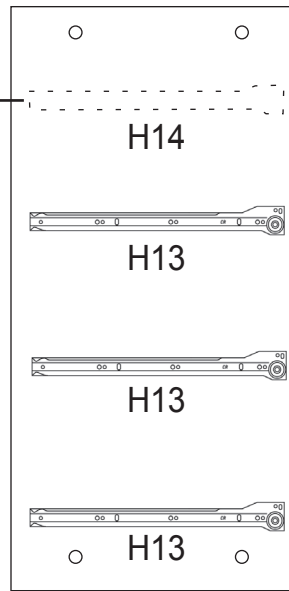
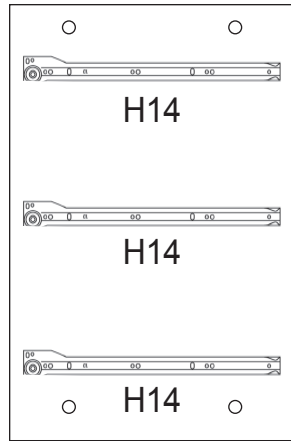


(V) Large Drawer
Back Panels x 3

STEP 1



Opposite side
of panel



Attach right and left panel glides H13 and H14 using wood screws H8 as illustrated.

(C) Left Panel

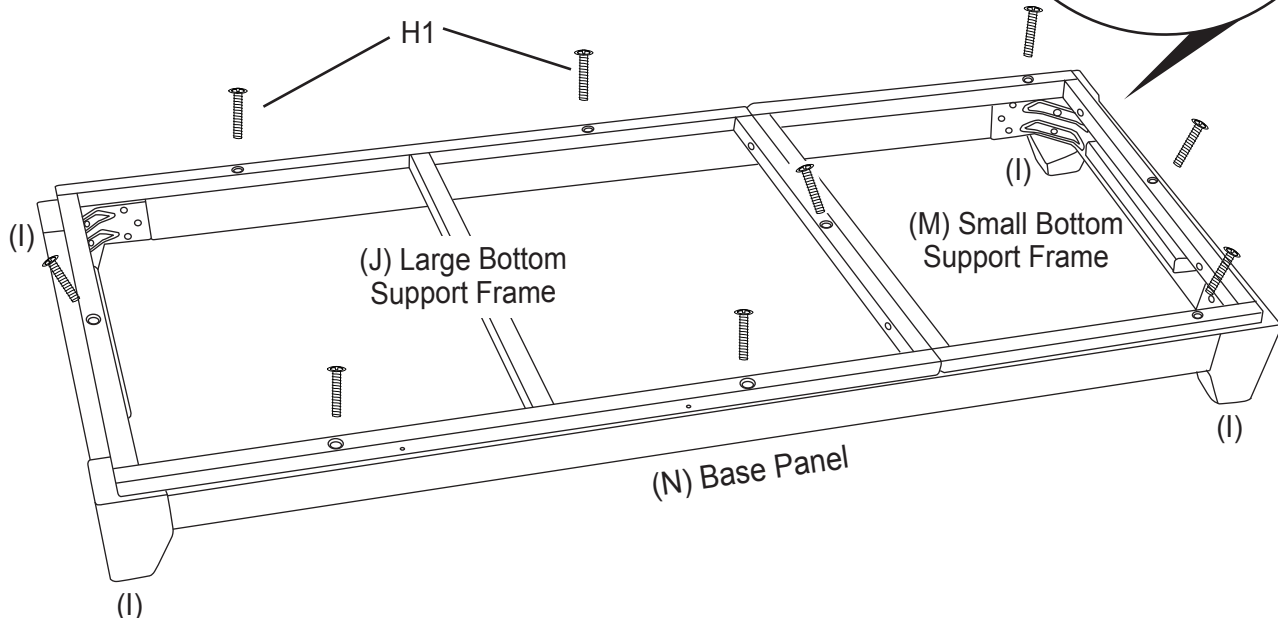
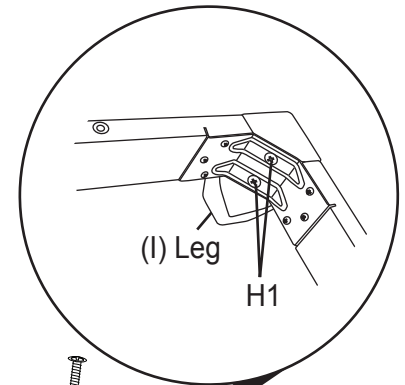
(A) Center Panel

(B) Right Panel

STEP 2

Use machine bolts H1 to attach bottom support frames J and M to the base panel (N).

Attach four legs (I) to leg brackets at the four corners of base panel (N) using H1 as illustrated.

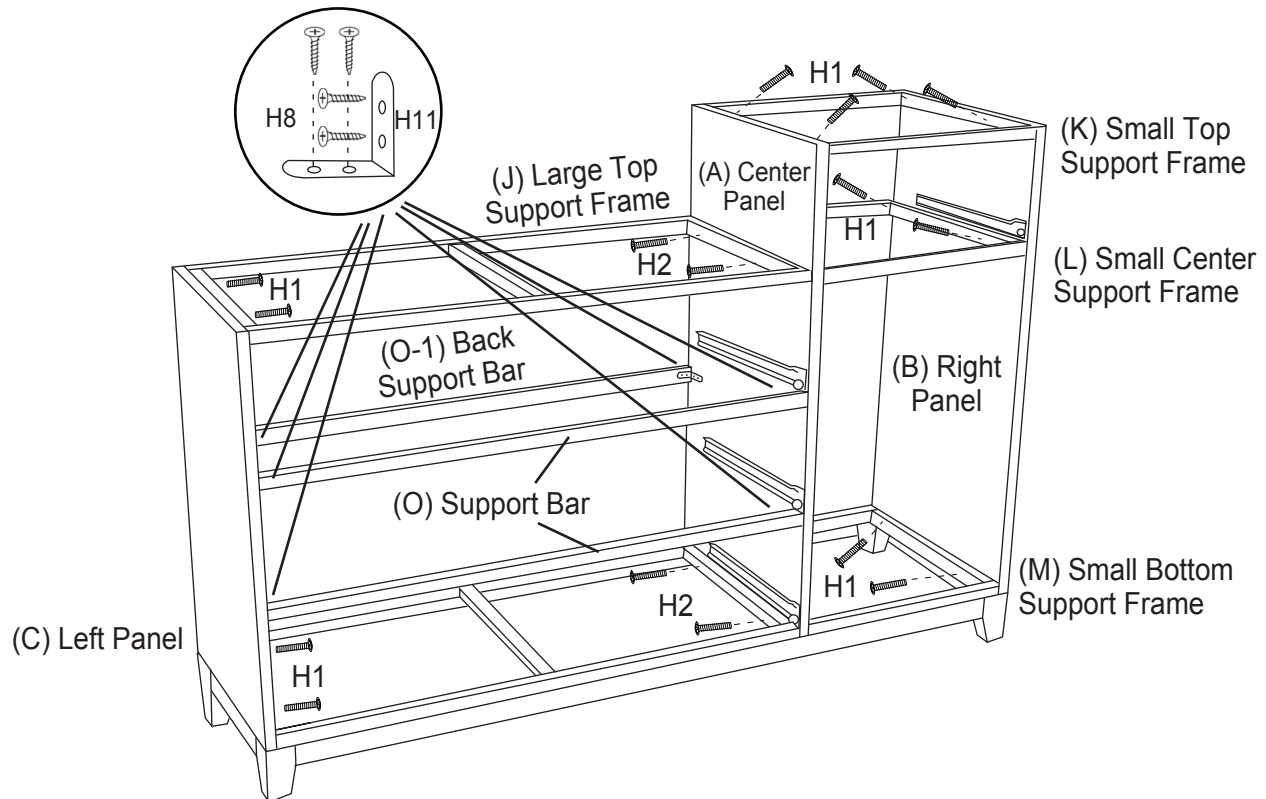


STEP 3

Use machine bolts H1 to attach large top support frame (J) to left (C) and center panel (A). Use machine bolts H1 to attach small top support frame (K) and small center support frame (L) to right (B) and center panel (A). Make sure that top support frames aligns with bottom support frames.

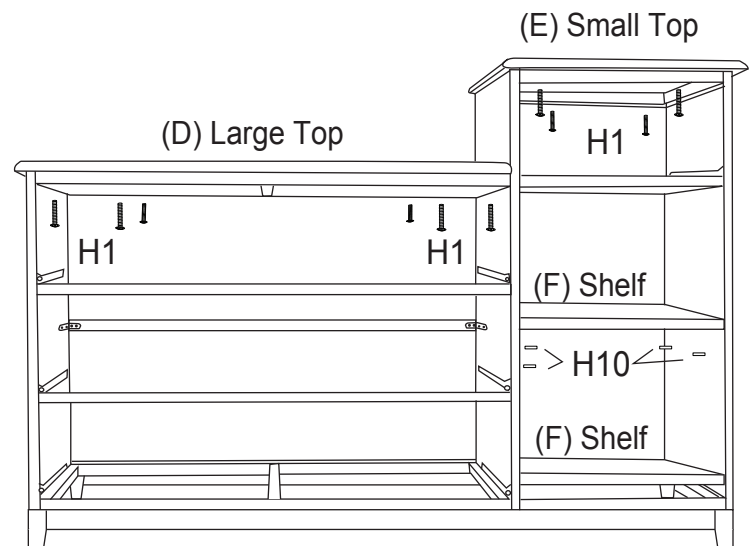
Use machine bolts H1 to attach left and right panel to the base assembly. Use 2" machine bolts H2 to attach the two sides as illustrated.

Attach the support bars (O, O-1) using support bar fasteners H11 and small wood screws H8 as illustrated.



STEP 4

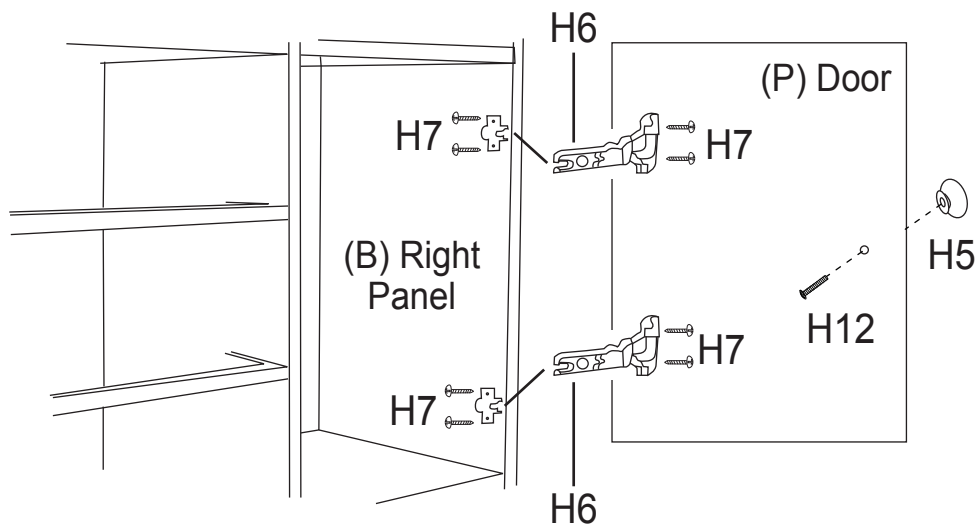
Use machine bolts H1 to attach dresser tops D and E to the final assembly. Insert 4 dowels H10 into pre-drilled holes in center and right panels A and B. Place two shelves F into the drawer as illustrated.



STEP 5

Attach hinges H6 to the door (P) to right panel (B) using wood screws H7. Adjust and tighten screws as illustrated.

Use knob screw H12 to attach knob H5 to door.



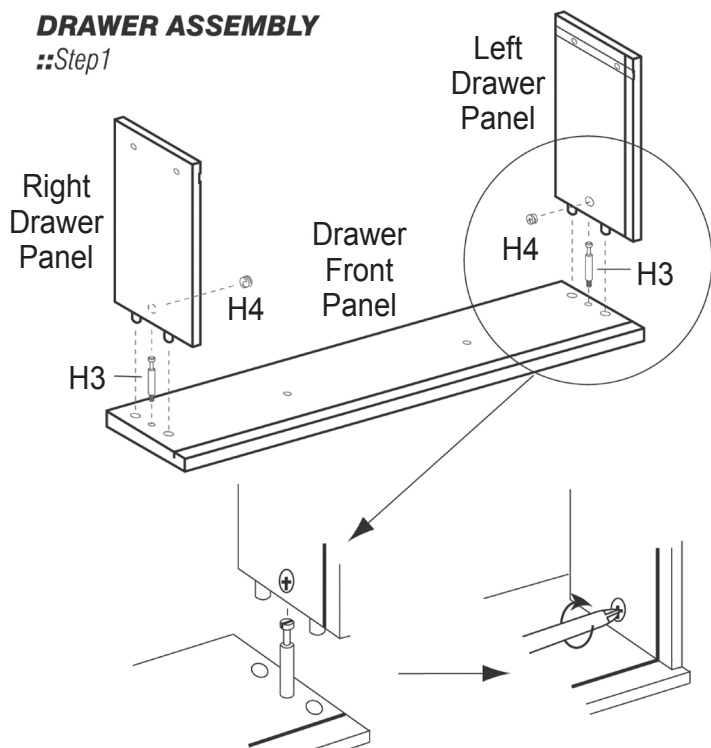
STEP 6

Secure back panel G and H to the final assembly using wood screws H8.



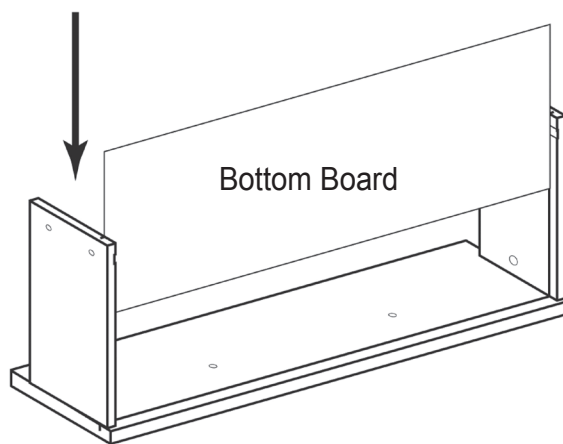
DRAWER ASSEMBLY

::Step1



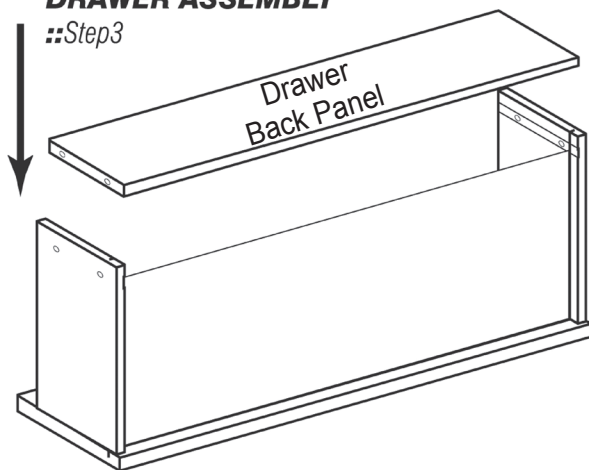
DRAWER ASSEMBLY

::Step2



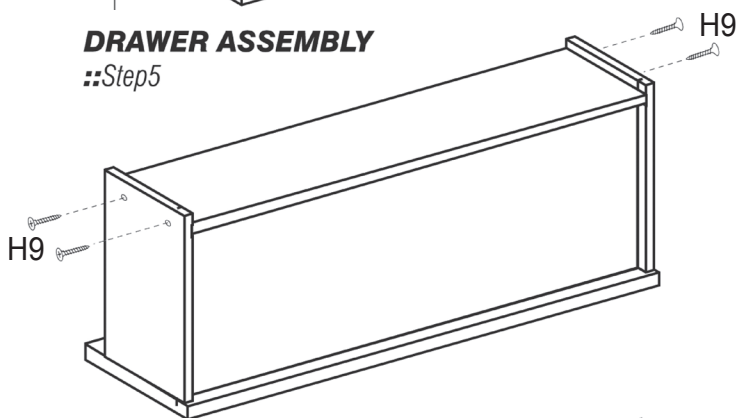
DRAWER ASSEMBLY

::Step3



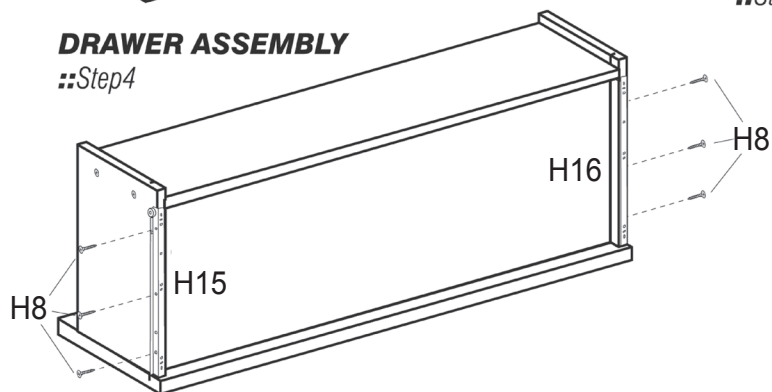
DRAWER ASSEMBLY

::Step5



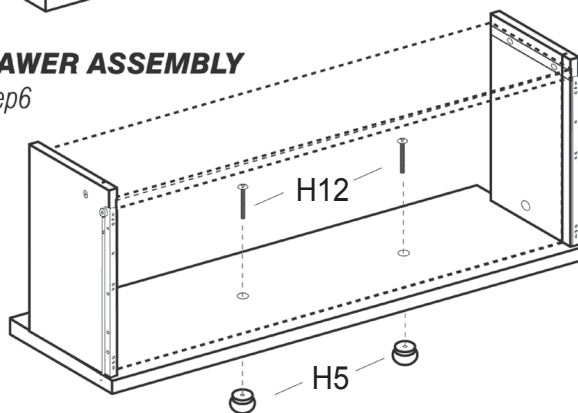
DRAWER ASSEMBLY

::Step4



DRAWER ASSEMBLY

::Step6



Use knob screw H12 to attach knob H5 to drawer front.

Align drawer glide H15 and H16 to panel glide H13 and H14. Insert drawers into assembled dresser and your dresser is now ready for use.

IMPORTANT: As with all infant and baby furniture, it is important to check fasteners, screws and bolts periodically for tightness. DO NOT OVERTIGHTEN.

This item has a manufacturer's limited one-year warranty.

Visit our website at <http://www.milliondollarbaby.com/> for more information.